



Technical reference manual
Maintenance guide
Wiring Diagrams
Installation guide
Operating guide
Parts Listings

For

SILEX SILESIA & VELOX GRILL MODELS
T1 - T2 - T10 - T20 - CG1 - CG2

SILESIA-VELOX
NO 1 FOR CONTACT GRILLS

Tel 01276 681919
info@silesia.co.uk

Fax 01276 686254
www.silesia.co.uk

CONTENTS

Burning In Process	Page: 3
Understanding The Controls	Page: 3
Operating & Cleaning Instructions	Page: 4
Wiring Diagram T1/T2	Page: 5
Wiring Diagram T10/T20	Page: 6
Wiring Diagram CG1/CG2 without safety stat	Page: 7
Wiring Diagram CG1/CG2 with safety stat	Page: 8
Parts Diagram - Cooking Plates	Page: 9
Parts Diagram - Controls	Page: 10
Complete Parts Listing	Page: 11
Fault Finding & Technical Specifications	Page: 12

IMPORTANT

Before using your Silesia[®] Grill for the first time you must complete the following "burning in" procedure:

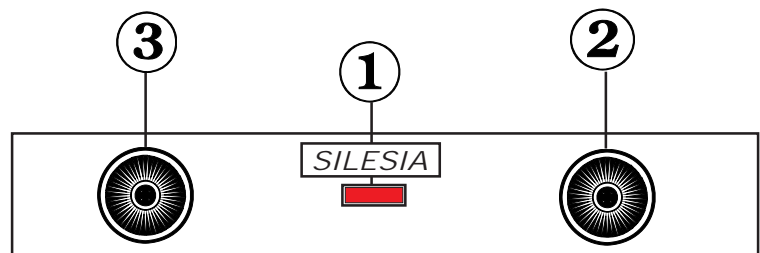
1. Remove protective packaging from between the cooking plates.
2. Plug the mains lead into a suitable 13amp 230 volt supply.
3. Set the thermostat control (3) to maximum.
4. Wait until all indicator lights go out (7/10 minutes) then leave the grill on for a further 20 minutes (the indicator lights will go on and off several times during this period). NOTE as the grill is new there may be some smoke caused by oils used during manufacture, please be advised that this is quite normal.
5. After 20 minutes turn the thermostat control (3) to OFF, lift the top plate to it's upright position and turn the grill off from the mains supply.
6. Allow the grill to cool for approximately 30 minutes.
7. Spread vegetable oil or margarine onto the entire area of both cooking plates and leave for 10 minutes. Then wipe off the excess oil with an absorbent paper towel.

YOUR GRILL IS NOW READY TO USE!

THE CONTROLS ON YOUR GRILL

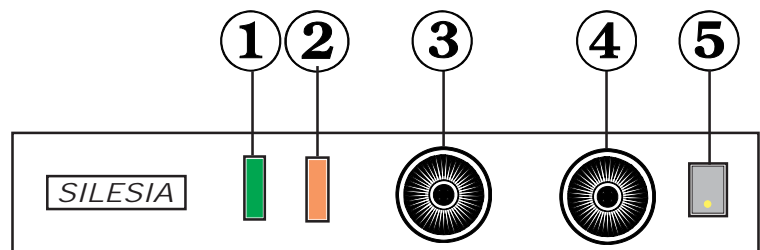
LEGEND SILEX/SILESIA T1/T2

1. Grill Heating Light
2. Timer Duration Control Knob
3. Temperature Control Knob



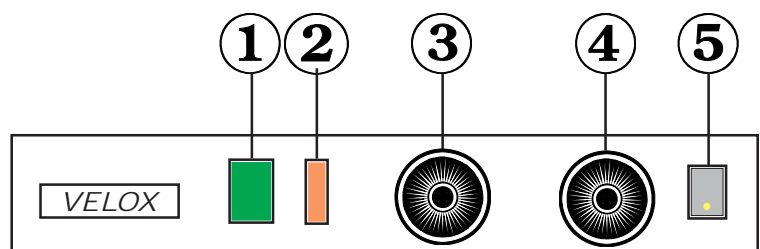
LEGEND SILESIA T10/T20

1. Mains Power On Light (Post April 98 models only)
2. Grill Heating Light
3. Temperature Control Knob
4. Timer Duration Control Knob
5. Timer Set Switch (illuminated when set)



LEGEND VELOX CG1/CG2

1. Mains Power On Light (GREEN)
2. Grill Heating Light
3. Temperature Control Knob
4. Timer Duration Control Knob
5. Timer Set Switch (illuminated when set)



It is very important that you keep your Silesia[®] grill clean!

The grill plates harden in time and after approximately 20 hours of operating use, the metal cleaning scraper may be used to remove burnt on and crusted deposits and carbon, without damage to the properties of the grill plate. However for the first 20 hours we recommend that you only use the thin, flexible metal spatula for cooking and cleaning.

Frequent wiping of the grill plates with a dry cloth or absorbent paper towel should be sufficient to keep them clean during operation (care should be taken to avoid the risk of burns whilst carrying out this procedure). However meat juices and fats should be removed immediately after cooking to prevent burning and carbon build up on the plates.

We recommend that you regularly scrape both the lower and upper cooking plate surfaces with the stiff scraper to avoid stubborn carbon build up. When using the scraper or spatula, ensure that the edge of the blade is kept flat on the plates and avoid using the corners as this may cause deep scoring and permanent damage. In time the black protective coating on the plates will give way to a shiny silver finish, this is quite normal and will not affect the working functions of your grill.

DO NOT ALLOW CARBON TO BUILD UP ON THE COOKING PLATE SURFACES as this will reduce the efficiency of your grill, cause products to stick to the plates and increase cooking times. If you do allow carbon to build up you will notice the food will stick to the plates and particles of carbon will remain on the food when it is served.

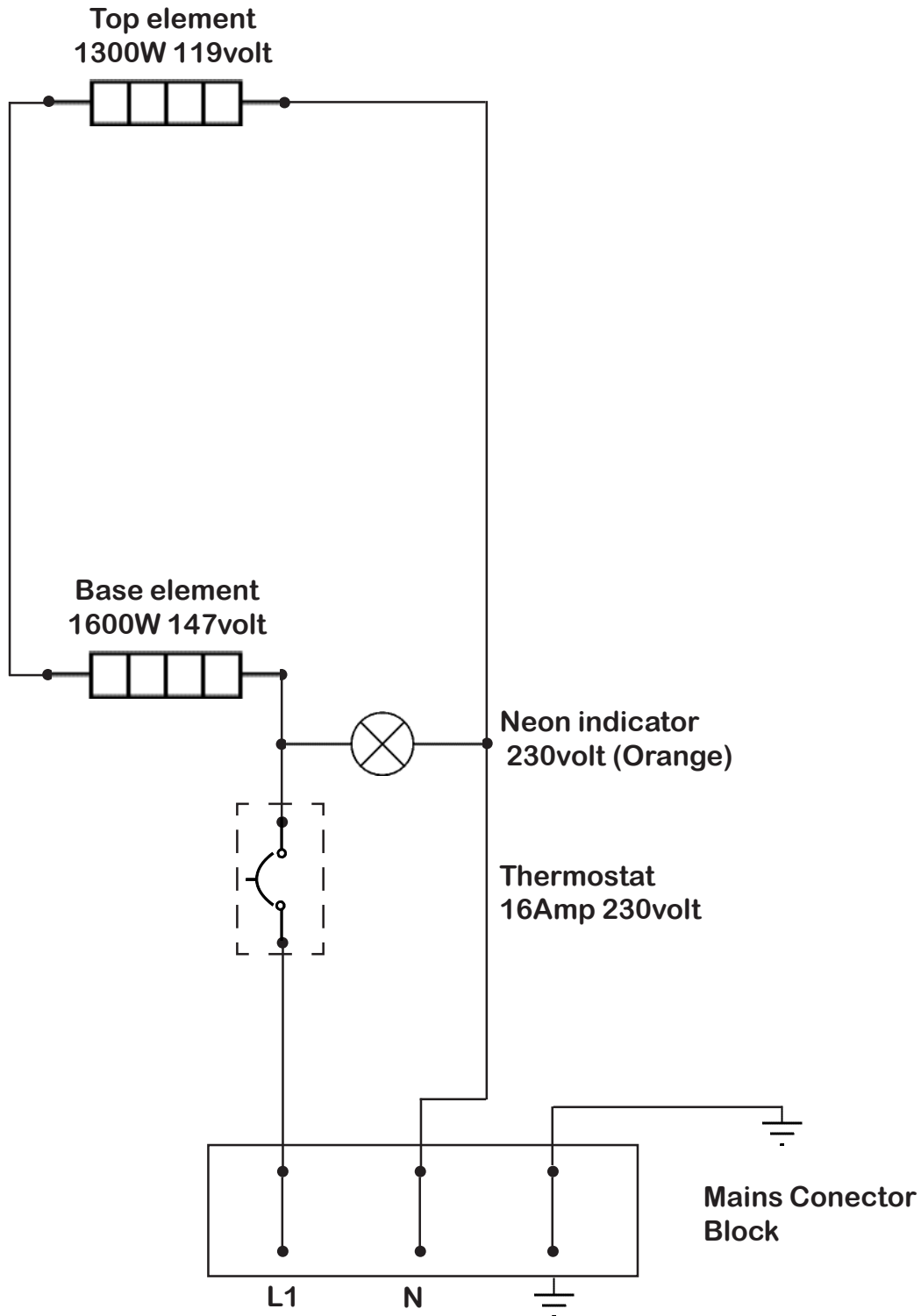
This carbon build up is difficult to see but **MUST BE REMOVED** immediately by scraping the cooking plates thoroughly with the stiff scraper. In severe cases of carbon build up on the cooking plates, they may appear to be cracking. It is a carbon layer causing this effect and not a defect with the plates. We recommend the use of a proprietary contact grill cleaner.

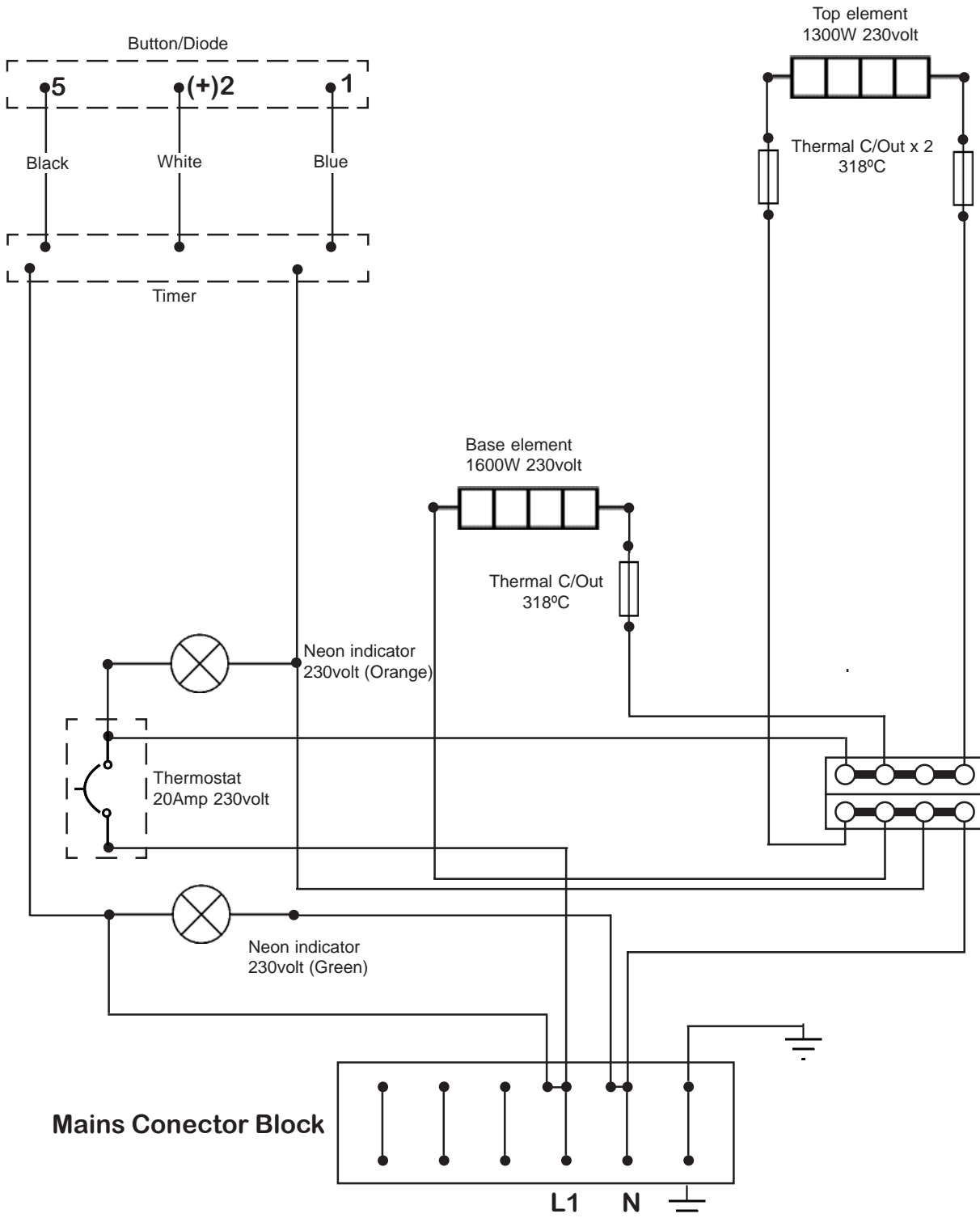
Once the carbon layer has been removed the plates should be re greased prior to using the grill again, regular cleaning is recommended to avoid a recurrence of this problem.

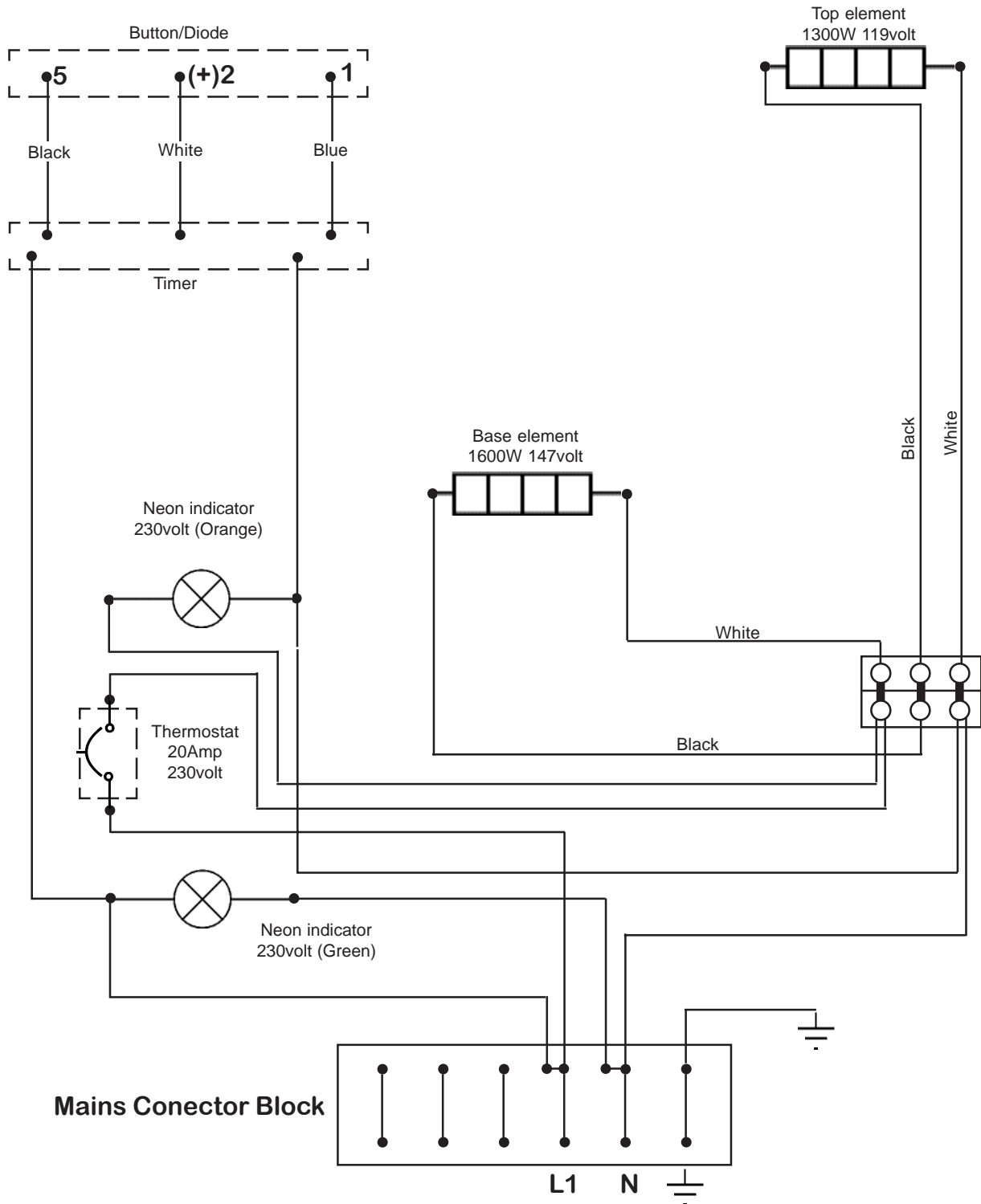
The metal covers may become discoloured, this is a result of the grease from the foods cooked combined with the high temperature that the grill is operated at. To remove this cooked on grease layer, turn the grill on and set the thermostat control to 50, wait for the neon indicator light to go out and disconnect the grill from the mains supply. Clean the cover using a steel wool pad, soap and a little water. Care should be taken to avoid water getting onto the cooking plates as this will cause the plates to dry out and cause sticking during cooking.

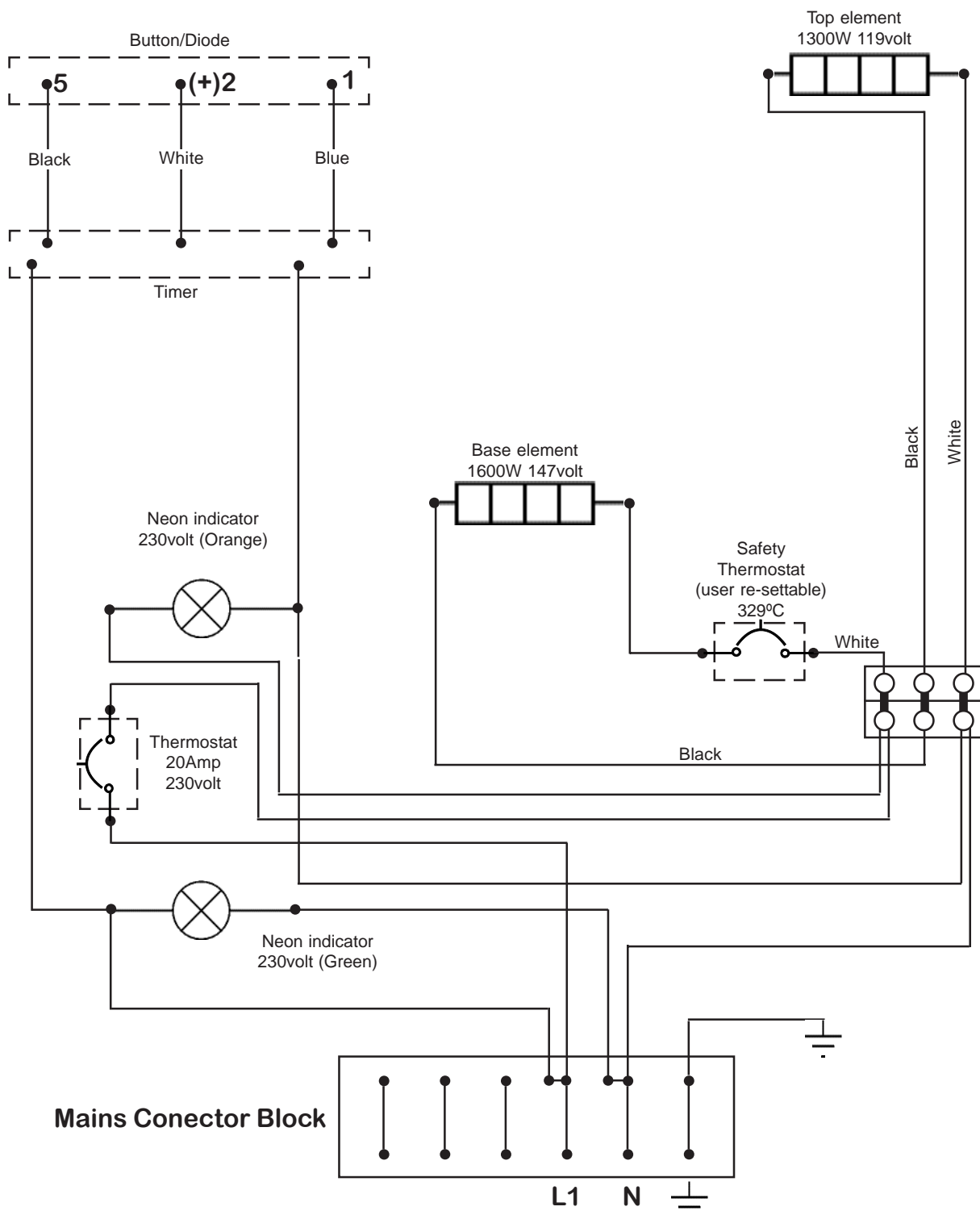
DANGER OF ELECTROCUTION

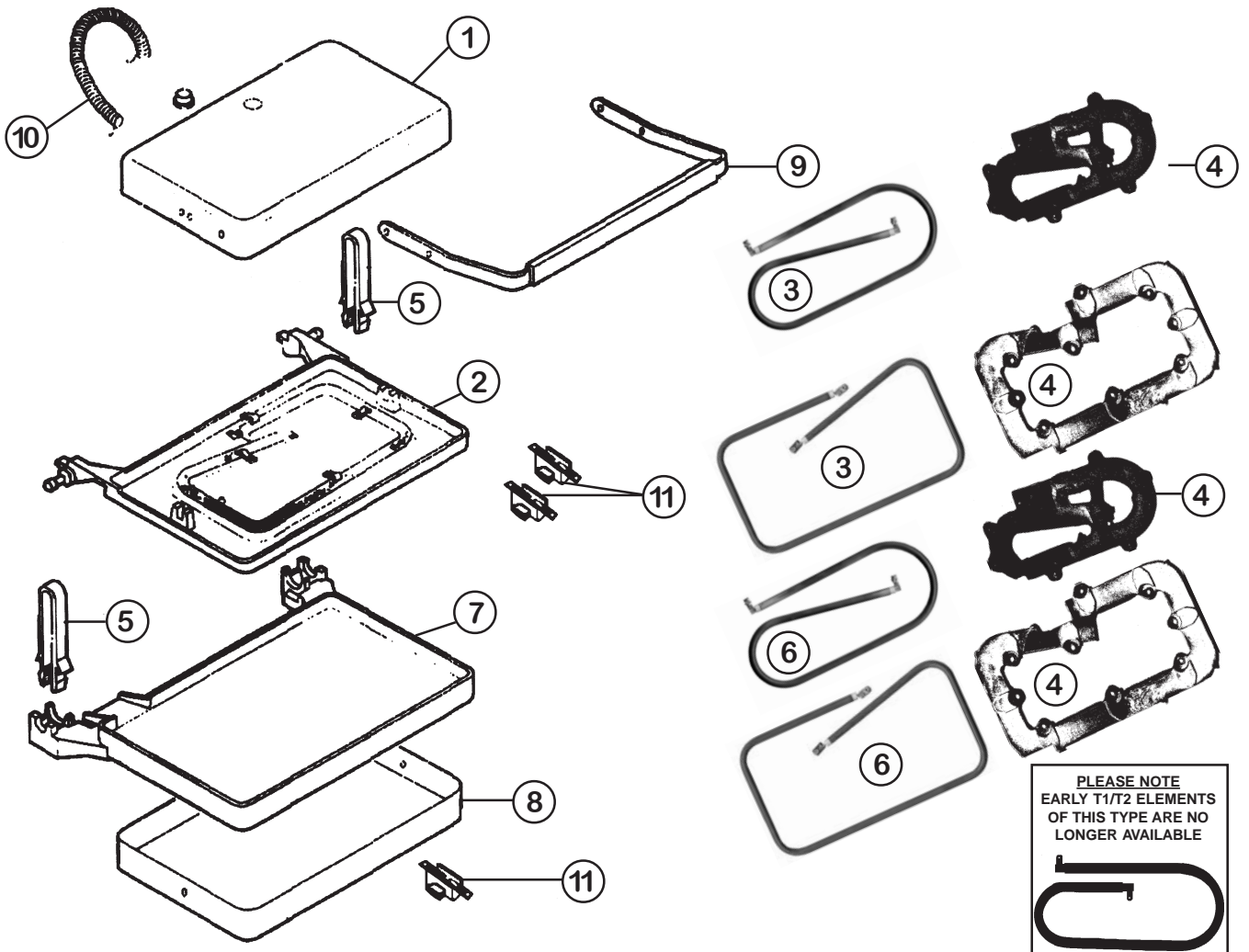
To avoid the risk of electrocution, ensure that the grill is switched off and disconnected from the mains supply when cleaning and do not allow water to enter the grill.





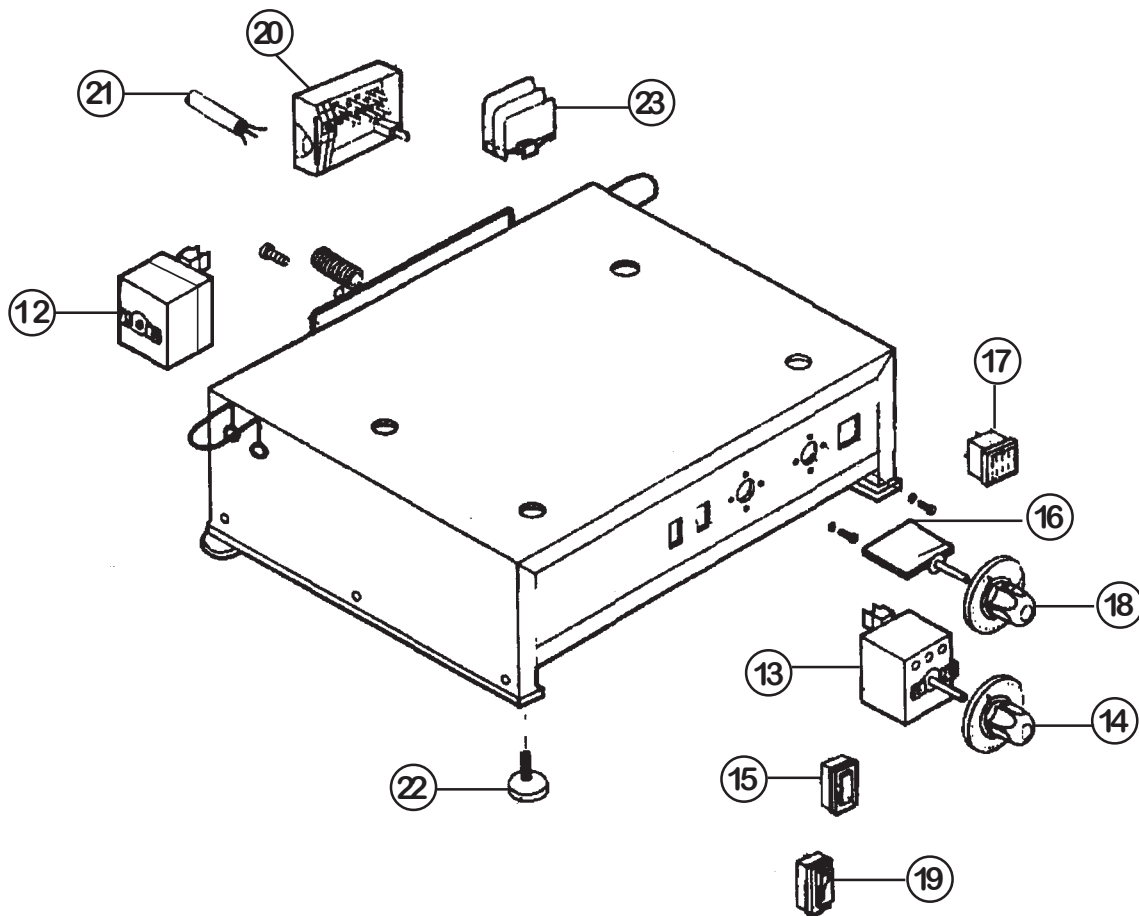






PLEASE NOTE
EARLY T1/T2 ELEMENTS
OF THIS TYPE ARE NO
LONGER AVAILABLE

Pos	Description	T1/T2	T10/T20	CG1/CG2	Notes
1	Top Plate Cover	2075	2062	2062	
2	Top Cooking Plate	2083	2085	2085	Comes complete with 9 element retaining bolts
3	Top Heating Element 1300W	2008	2027	2027V	
4	Element Backing Plate	2009	2115	2115	
5	Plate Hinge	2094*	2094	2094	*From S/No's T1 22690 & T2 32243
6	Base Heating Element 1600W	2007	2028	2028V	
7	Base Cooking Plate	2082	2084	2084	Comes complete with 9 element retaining bolts
8	Base Plate Cover	2074	2063	2063	
9	Handle	2043	2070	2070	
10	Wire Protection Tube	2030	2030	2030	Supplied complete with 2 x end retaining collars
11	High Limit Safety Cut Out 318°C	n/a	2098	n/a	Serial No's T10 25993 to 26964 only Serial No's T20 35403 to 36343 only



Pos	Description	T1/T2	T10/T20	CG1/CG2	Notes
12	High Limit Safety Thermostat	n/a	n/a	2088	From Serial No CG1 = V200000 From Serial No CG2 = V300000
13	Working Thermostat	2018	2018	2018	
14	Thermostat Control Knob	2017	2017	2017	
15	Neon Heat Indicator Light (Amber)	2090	2068	2068	On early T10/T20 models this was a top plate isolation switch Part No. 2069
16	Timer	2019	2021	2021	Manual Bell on T1/T2 models Electronic on T10/T20/CG1/CG2
17	Timer Control Rocker Switch	n/a	2067	2067	With Neon
18	Timer Set Knob	2022	2022	2022	
19	Neon Power Indicator (Green)	n/a	2097	2014	
20	Mains Cable Connector Block	2096	2096	2096	From Serial No T1 = 22690 From Serial No T2 = 32243
21	Mains Cable & Moulded Plug	5004	5004	5004	1200mmm 13amp
22	Foot	2032	2033	2033	Supplied in pairs
23	Internal Distribution Strip	n/a	5002	5002	If fitting to Models T10 or T20 please ask for terminal conversion kit

Pos	Description	T1/T2	T10/T20	CG1/CG2	Notes
1	Top Plate Cover	2075	2062	2062	
2	Top Cooking Plate	2083	2085	2085	Comes complete with 9 element retaining bolts
3	Top Heating Element 1300W	2008	2027	2027V	
4	Element Backing Plate	2009	2115	2115	
5	Plate Hinge	2094*	2094	2094	*From S/No's T1 22690 & T2 32243
6	Base Heating Element 1600W	2007	2028	2028V	
7	Base Cooking Plate	2082	2084	2084	Comes complete with 9 element retaining bolts
8	Base Plate Cover	2074	2063	2063	
9	Handle	2043	2070	2070	
10	Wire Protection Tube	2030	2030	2030	Supplied complete with 2 x end retaining collars
11	High Limit Safety Cut Out 318°C	n/a	2098	n/a	Serial No's T10 = 25993 to 26964 only Serial No's T20 = 35403 to 36343 only
12	High Limit Safety Thermostat	n/a	n/a	2088	From Serial No CG1 = V200000 From Serial No CG2 = V300000
13	Working Thermostat	2018	2018	2018	
14	Thermostat Control Knob	2017	2017	2017	
15	Neon Heat Indicator Light (Amber)	2090	2068	2068	On early T10/T20 models this was a top plate isolation switch Part No. 2069
16	Timer	2019	2021	2021	Manual Bell on T12 models Electronic on T10/T20/CG1/CG2
17	Timer Control Rocker Switch	n/a	2067	2067	With Neon
18	Timer Set Knob	2022	2022	2022	
19	Neon Power Indicator (Green)	n/a	2097	2014	
20	Mains Cable Connector Block	2096	2096	2096	From Serial No T1 = 22690 From Serial No T2 = 32243
21	Mains Cable & Moulded Plug	5004	5004	5004	1200mmm 13amp
22	Foot	2032	2033	2033	Supplied in pairs
23	Internal Distribution Strip	n/a	5002	5002	If fitting to Models T10 or T20 please ask for terminal conversion kit

Fault Finding Chart

VER 2.20

© CCEquipment 2009

SYMPTOM	FAULT	REMEDY
GRILL DOES NOT HEAT & NONE OF THE LIGHTS ARE ILLUMINATED	No power	<ol style="list-style-type: none"> 1.Ensure there is power at the socket 2.Ensure grill is plugged on 3.Make sure thermostat⁽³⁾ is set to 220°C 4.Change the fuse in the plug 5.Call an engineer
THE LIGHTS ARE ILLUMINATED BUT GRILL DOES NOT HEAT	No power to heating elements	<ol style="list-style-type: none"> 1.Make sure thermostat⁽³⁾ is set to 220°C 2.Reset safety thermostat (CG models only) 3.Call an engineer
THE LIGHTS ARE ILLUMINATED BUT TOP COOKING PLATE DOES NOT HEAT	No power to top heating element	<ol style="list-style-type: none"> 1.Make sure thermostat⁽³⁾ is set to 220°C 2.Ensure top plate switch (1) is on 3.Call an engineer <small>PRE April 1998 T10/20 models only</small>
FOOD KEEPS BURNING	Cooking plates are too hot	<ol style="list-style-type: none"> 1.Make sure thermostat⁽³⁾ is set to 220°C 2.Allow grill to cool 3.Call an engineer
FOOD KEEPS STICKING TO THE COOKING PLATES	Carbon build up or plates cleaned with water/cleaner	<ol style="list-style-type: none"> 1.Clean cooking plates (see page 3)

TECHNICAL SPECIFICATIONS

MODEL	OVERALL DIMENSIONS			COOKING LENGTH	SURFACES DEPTH	POWER REQUIREMENTS	WEIGHT	
	L	H _(OPEN)	D				NET	SHIP
T1	355mm	320mm	430mm	310mm	190	240 volt 2.8kw	11kg	14kg
T2	680mm	430mm	320mm	310mm	190mm	240 volt 5.6kw (2 x 13amp supplies)	26kg	29kg
T10	400mm	570mm	520mm	340mm	220mm	230 volt 2.9kw	13kg	17kg
T20	800mm	570mm	520mm	340mm x 2	220mm x 2	230 volt 5.8kw (2 x 13amp supplies)	25kg	33kg
CG1	430mm	530mm	530mm	340mm	220mm	230 volt 2.35kw	13kg	17kg
CG2	830mm	530mm	530mm	340mm x 2	220mm x 2	230 volt 2 x 2.35kw (2 x 13amp supplies)	25kg	33kg